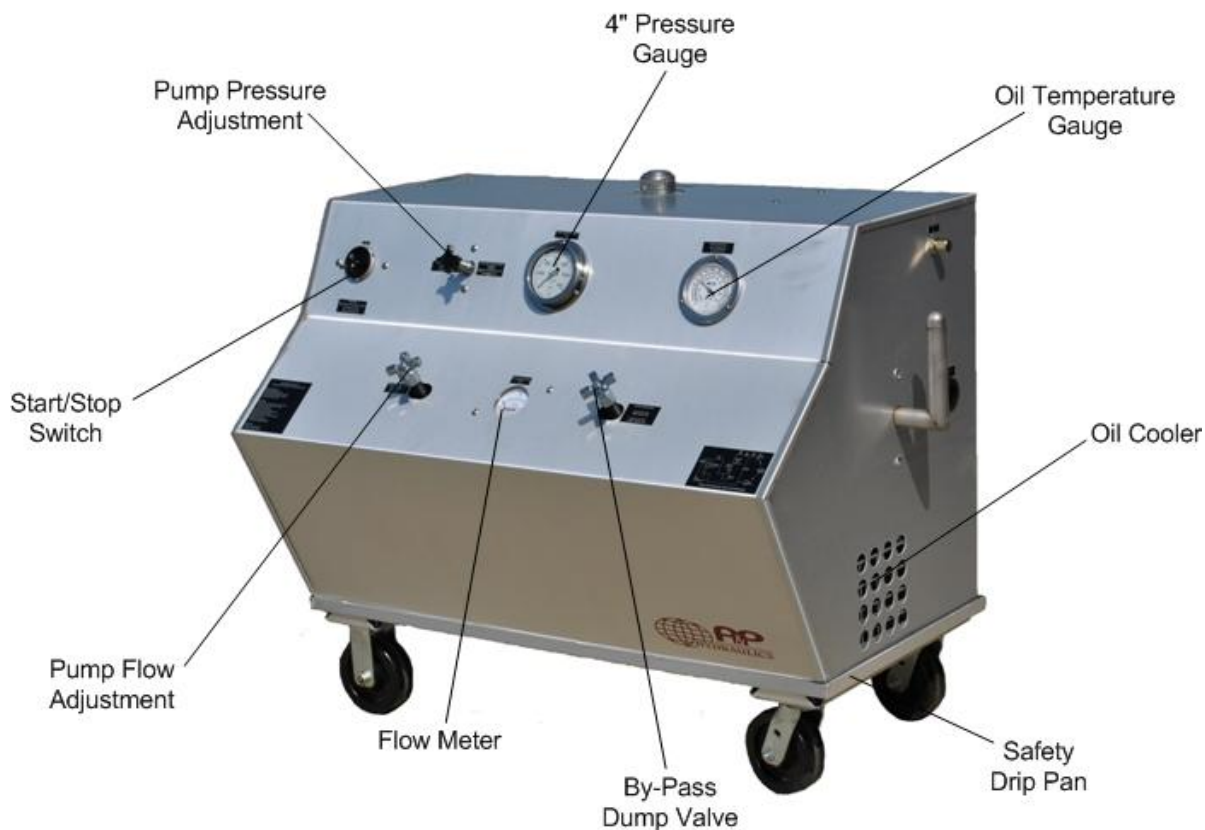


HYDRAULIC POWER UNIT

**610
Series**

*Designed for Corporate and Other Occasional Use Operations
Features Include, Aluminum Construction
4000 PSI Maximum Pressure @ Reduced Flow*

**2 Year
Warranty**



Model 05-611-05

- **Performance Assured 100% Duty Cycle**
 1. Will deliver Maximum Flow @ 1800 PSI
 2. Industrial Duty 5 HP Lincoln® Motor
 3. Heavy Duty Motor Starter with Over Load Protection
 4. High Pressure Piston Pump will Produce 4000 PSI at Reduced Flows
- **Panel Mounted Controls for Ease of Operation and Safety**
 1. Complete Pump Flow Adjustment (0-Full GPM)
 2. Complete Pump Pressure Adjustment (250-Full PSI)
 3. By-Pass Dump Valve
- **Instrumentation**
 1. High Pressure, Dual Scale Flow Meter (4% Accuracy)
 2. Test Quality 4" Pressure Gauge (1% Accuracy)
 3. Dual Scale Pyrometer / Oil Temperature Gauge
- **Super Clean Filtration – Industry Leading Filtration Ensures Quality While Increasing Aircraft Component Life and Decreasing Aircraft Filter Changes**
 1. High Efficiency, Non-Bypass Pressure Filter (3 Micron Absolute)
 2. Large Capacity Return Filter (6 Micron Absolute)
- **Durable 0.90 Brushed Aluminum Cabinet Construction**
 1. Large Hinged Rear Access Door Provides Convenient Access and Inspection
 2. No Exterior Paint to Fade or Chip with Usage
 3. Guaranteed Not to Rust



9283 Industrial Blvd. Leland, NC 28451 USA
Voice 910.371.1151 Fax 910.371.1152
ap-hydraulics.com

HYDRAULIC POWER UNIT

*Designed for Corporate and Other Occasional Use Operations
Features Include, Aluminum Construction
4000 PSI Maximum Pressure @ Reduced Flow*

Standard Features:

- Will Deliver Maximum Flow @ 1800 PSI
- Higher Pressure @ Reduced Flows (4000 PSI @ 1.5 GPM)
- Durable 6 GPM Piston Compensated Pump with Adjustable Flow and Pressure Controls
- Heavy Duty 3 Phase Motor
*Single Phase Motor Available
- All Welded 0.90 Aluminum Construction
- Pump Case Drain Oil Cooler
- Stainless Steel Reservoir (10 Gallons)
- Reservoir Selector Valves (to use either aircraft's or unit's reservoir)
- Standard #8 Pressure Hoses and #12 Return Hoses, 15 ft. (4.5 m) Long
- Current Pressure Gauge and Flow Meter Certificate of Calibration
- Standard 50 ft. (15.2 m) Electrical Input Cable
- Guaranteed No Leaks, Aluminum Pan Completely Covers Bottom of Unit
- Durable Laser Engraved , Aluminum Placards
- Panel Mounted Operational Instructions
- Easy Access Exterior Fluid Sampling Valve to Meet Quality Parameters
- Easy Maneuvering Ensured with Two Fixed and Two Swivel Castors and Stability Provided by the Heavy Duty Floor Lock
- Heavy Duty Bracket for Hose and Electrical Input Cord Storage
- Large Hinged Rear Access Door Provides Convenient Access and Inspection

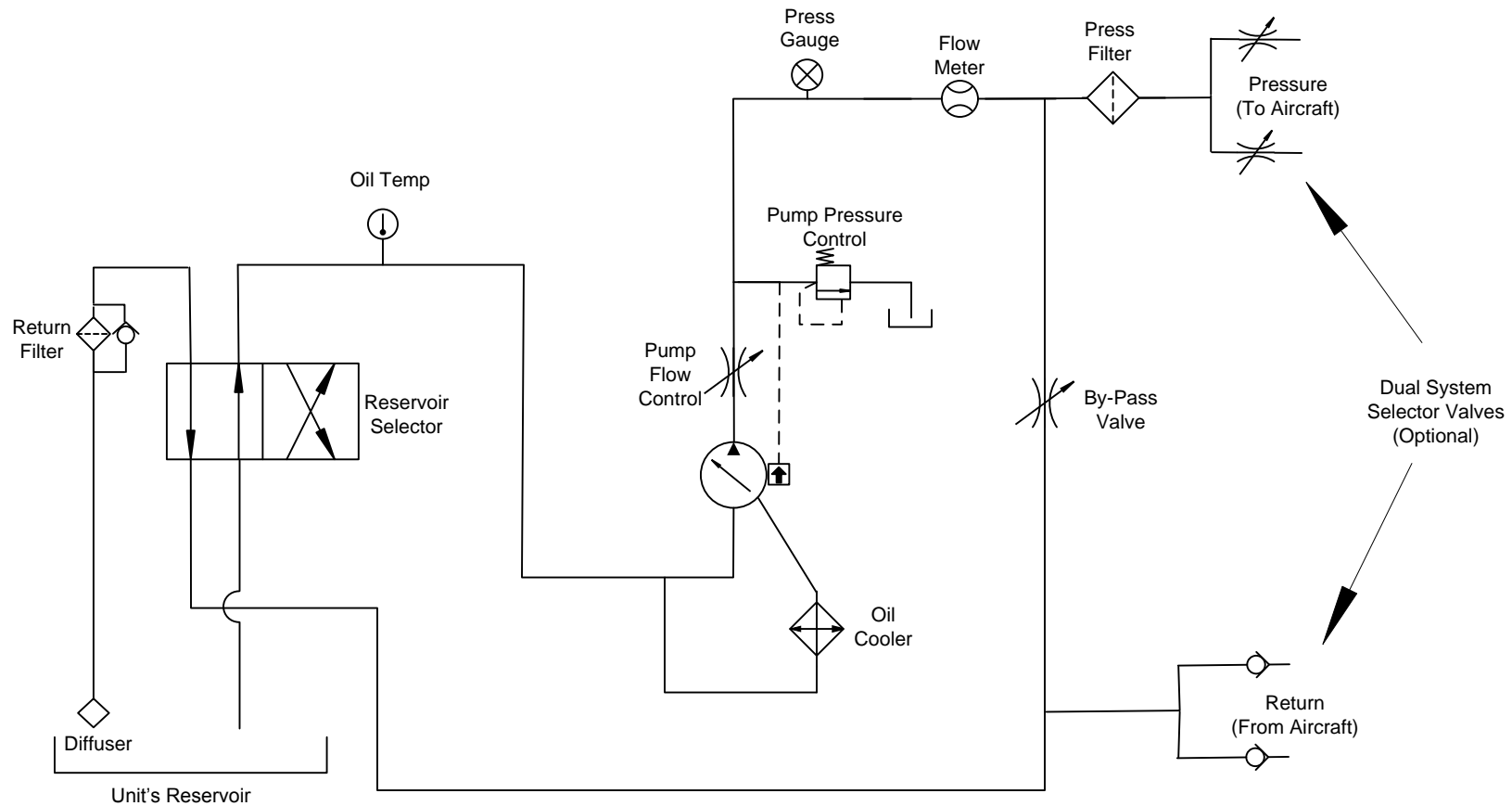
Dimensions: Length 42 in (107 cm), Width 28 in (71 cm), Height 32 in (81 cm)

SPECIFICATIONS:					
SERIES MODEL	PUMP PRESSURE PSI (bar)	MOTOR HP (kw)	PUMP FLOW		WEIGHT Lbs. (kg)
			50 Hz GPM (lpm)	60 Hz GPM (lpm)	
05-611-**	450 - 4000 PSI	5 HP	5 GPM	6 GPM	395 lbs
05-612-03*	30 - 272 bar	3.7 kw	19 lpm	23 lpm	179 kg

**Model by Fluid Type: Mil-H-5606 = 02 Mil-H-83282 = 03 Skydrol = 05

*Model 05-612-03 Citation Jet Includes Return Line Back Pressure Relief Valve, Pressure Gauge (0-30 PSI), Sight Glass, Reservoir Over Flow Line and Reservoir Selector Valve





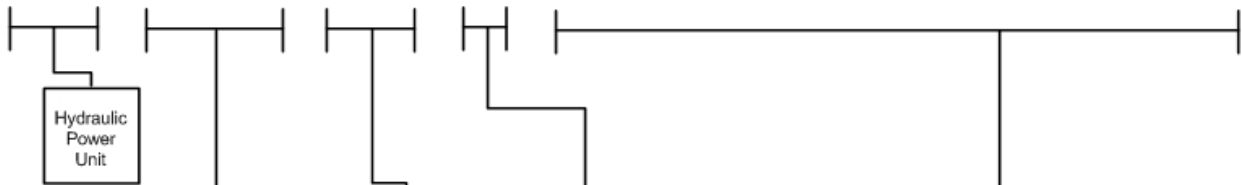
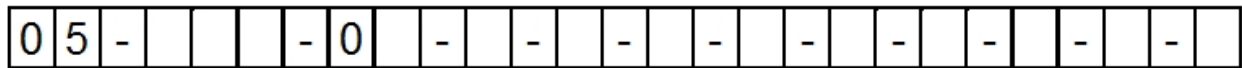
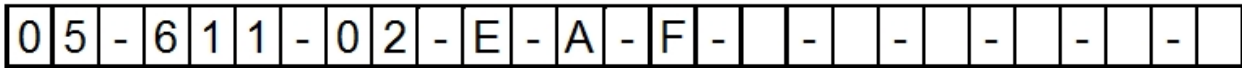
Series 610 Hydraulic Power Unit Schematic

Ordering Instructions

- Step 1: Determine Size of the Hydraulic Power Unit Required, Refer to Aircraft's Maintenance Manual For
 - A. Maximum (GPM) Gallons Per Minute
 - B. Maximum (PSI) Pound Per Square Inch
- Step 2: Refer to Aircraft's Maintenance Manual for Type of Hydraulic Fluid.
- Step 3: Determine the input voltage the Hydraulic Power Unit will be operated on. When ordering, the most common error is selecting Incorrect input voltages, 50 Hertz the flow will be reduced by 17%
- Step 4: Call A&P Hydraulics experienced sales staff for any questions for explanation of the complete range of Hydraulic Power Unit Options that we offer.

EXAMPLE:

Hydraulic Power Unit – 6 GPM @ 4000 PSI – Mil-H-5606 Fluid – 220 Volt 60 Hertz 1 Phase
 Optional: 25 ft. Hoses and Hour Meter



CHAR	GPM	LPM	PSI	BAR	HP	KW
611	6	23	4000	272	5	3.7
612	6	23	4000	272	5	3.7

CHAR	VOLT/FREQ/PHASE
B	220V60Hz/1ph
0	208V60Hz/3ph
1	220V60Hz/3ph
2	308V60Hz/3ph
3	460V60Hz/3ph
4	575V60Hz/3ph
5	200V50Hz/3ph
6	220V50Hz/3ph
7	380V50Hz/3ph
8	415V50Hz/3ph
9	440V50Hz/3ph

CHAR	FLUID TYPE
2	Mil-H-5606
3	Mil-H-83282*
5	Skydrol
6	Mil-PRF-87257

*Only fluid type available for 612

611	
CHAR	OPTION DESCRIPTION
A	25 ft. Hoses
C	Dual System
D	Dual System w/ X-Over Check
F	Hour Meter
P	Reservoir Over Flow Hose
T	Return Back Pressure w/ Sight Glass
U	Return Sight Glass
W	Second Language Operation Placards & Owner's Manual
X	CE Compliant
Y	Custom Engineering

612	
CHAR	OPTION DESCRIPTION
A	25 ft. Hoses
M	Reservoir Hand Pump
W	Second Language Operation Placards & Owner's Manual
X	CE Compliant
Y	Custom Engineering